

PLUG & TOUCH BY RODENSTOCK

REFRACTION UNIT PRO 500

Convenient. Compact. Classy.

- Space-saving
- Easy to install
(right- or left-
handed operation)
- Electrically
elevated chair
- Preconfigured for
Rodenstock equipment
- Classic and
contemporary design

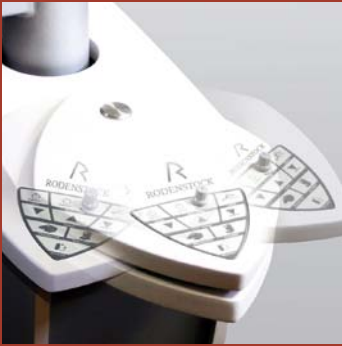


QUALITY IN DETAIL

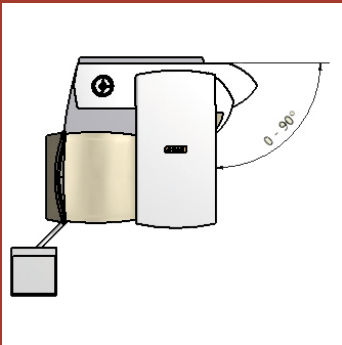


Prescribe in style with the refraction unit PRO 500

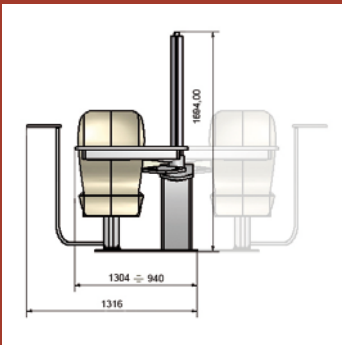
The Rodenstock **PRO 500 refraction unit** is the perfect solution for confined spaces, providing maximum flexibility with convenient operation. The accommodating modular construction allows you to efficiently arrange your working environment according to your needs.



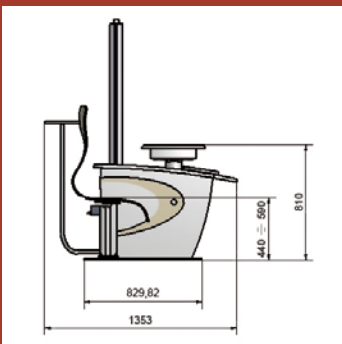
The rotatable control panel allows the user comfortable operation of the whole unit and the additional devices.



Two devices find place on the 90° rotatable and sliding table.



The possibility to install the unit for right or left handed operation makes it individual.



Due to the compact design the PRO 500 needs less space.

SPECIFICATIONS

Table.....	rotating 90°, laterally movable, for 2 units
Table height.....	81 cm
Seat height.....	44 cm
Seat elevation.....	44-59 cm
Nominal lifting capacity.....	max. 120 kg
Projector column height.....	170 cm
Connectors.....	2 x 6V/12V, 1 x RS-232, 1 x 5-pin slit lamp, 1 x LAN, power connector, 1 x USB 2.0
Reading light.....	white LED 3.5 V
Internal light.....	white LED 12V
Power consumption.....	300 VA
Power supply.....	230 V
Total weight (without instruments).....	approx. 190 kg
Power supply.....	230 V

Options:

Phoropter arm, trial lens cabinet, ophthalmoscope holder



Cabinet

2011/06 - subject to change without notice